	NAME: Answers					
	Gr 7		Date:		Time	1 hr
CAPS Reference	2-2 Functions and Relationships					
Topic	2-2-1 Functions – Calculating outputs.					

2.1.1

Given number (n)	0	1	2	3	4	5
Value of the number (v) $v = 3n + 6$	6	9	12	15	18	21

2.1.2

Given number (p)	0	2	4	6	8	10
Value of the number (v) $v = \frac{1}{2}p + 3$	3	4	5	6	7	8

2.1.3

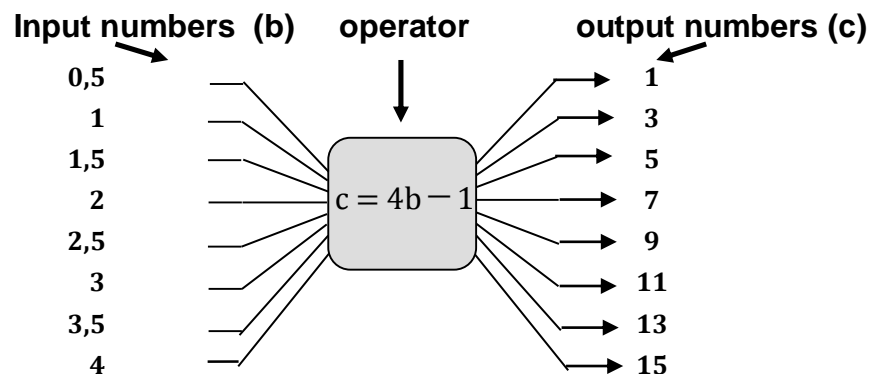
Given number (x)	0	1	2	3	4	5
Value of the number (y) $y = 3x + 0,25$	0,25	3,25	6,25	9,25	12,25	15,25

2.1.4

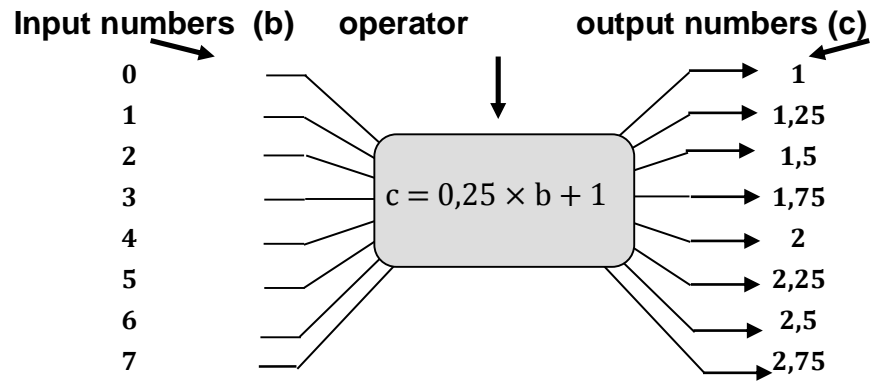
Given number (x)	9	12	15	18	21	24
Value of the number (y) $y = \frac{1}{3}x - 2\frac{1}{2}$	$\frac{1}{2}$	$1\frac{1}{2}$	$2\frac{1}{2}$	$3\frac{1}{2}$	$4\frac{1}{2}$	$5\frac{1}{2}$

2.2 Give the output values in the following flow diagrams:

2.2.1



2.2.2



2.2.3

